

eNode™IV Lon/IP 852 Router 90V – 264V AC Plug Adapter Data Sheet

Features

- 90 – 264V AC Mains Power Supply Adapter for **eNode™IV Lon/IP 852 Router**
- Powers up to either 3 or 5 **eNode™IV Lon/IP 852 Router** modules
- Available in UK, Euro and US style mains power plug
- 90V – 264V ac
- 5V DC regulated output, $\pm 3\%$
- CE, UL, RoHS



Description

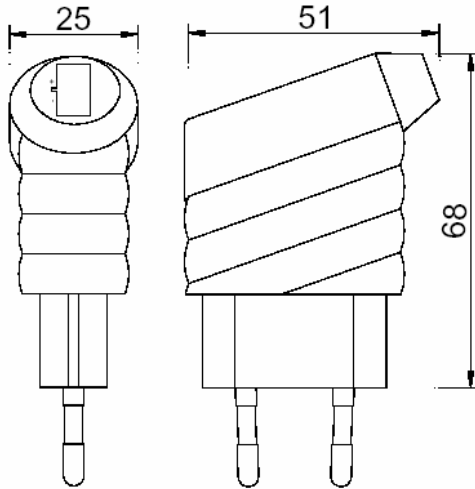
The **eNode™IV Plug Adapter Module** is designed specifically to power the **eNode™IV Lon/IP 852 Router**. It is capable of supplying up to either 3 or 5 **eNode™IV Lon/IP 852 Router** modules making this a very cost effective solution in terms of price, space and assembly.

eNode™IV Lon/IP 852 Router Plug Adapter Module accepts 90V – 264V ac input power and the output is a regulated 5VDC for the **eNode™IV Lon/IP 852 Router** modules. The **eNode™IV Lon/IP 852 Router** power connector uses 5.0 mm screw terminals so the Plug Adapter is supplied with a suitably terminated flying lead

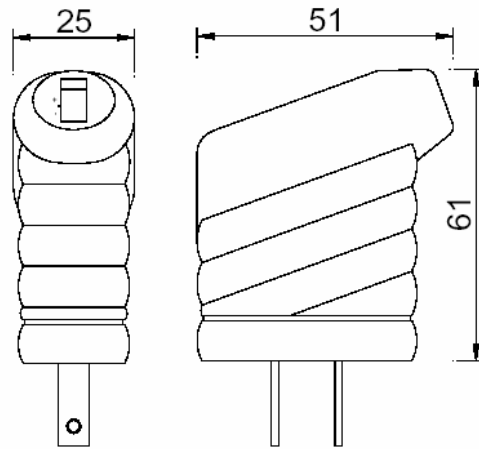
Specification

Mechanical

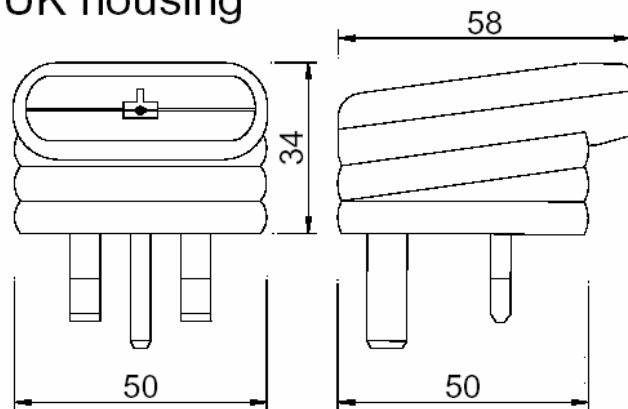
Euro housing



US housing



UK housing



Dimensions in mm

Electrical

3 – Module Version

Input -

Parameter	Key	Min	Typ	Max	Unit	Condition
Input voltage	U_1	90		264	V	Full load, $U_1=120V$
Input current	I_1			140	mA	
Input frequency	f_1	47	50	63	Hz	With load
Efficiency	η	63	70	85	%	
Switching frequency	$f_{1,sw}$	35		250	kHz	

Output -

Idle mode		Short circuit		Full load (resistive load)		
U_2 [V]	P_1 [W]	U_2 [V]	I_2 [A]	U_2 [V]	I_2 [A]	P_2 [W]
5.0	<0.75	<1	<1.2	5.0	1	5

Parameter	Key	Min	Typ	Max	Unit	Condition
Ripple voltage at switching freq	$U_{o-o,hf}$		75	150	mV	Full load
Reverse current $U_2=5V$	I_r		1.7	2.5	mA	Disconnected from mains

5 – Module Version

Input -

Parameter	Key	Min	Typ	Max	Unit	Condition
Input voltage	U_1	90		264	V	Full load, $U_1=120V$
Input current	I_1			320	mA	
Input frequency	f_1	47	50	63	Hz	With load
Efficiency	η	63	70	85	%	
Switching frequency	$f_{1,sw}$	35		250	kHz	

Output -

Idle mode		Short circuit		Full load (resistive load)		
U_2 [V]	P_1 [W]	U_2 [V]	I_2 [A]	U_2 [V]	I_2 [A]	P_2 [W]
5.0	<1.3	<1	<1.8	5.0	1.5	7.5

Parameter	Key	Min	Typ	Max	Unit	Condition
Ripple voltage at switching freq	$U_{o-o,hf}$		75	150	mV	Full load
Reverse current $U_2=5V$	I_r		3	10	mA	Disconnected from mains
Reverse current $U_2=24V$	I_r		5	15	mA	Disconnected from mains

Environmental

	Min	Max	Unit
Storage Temperature	-30	80	°C
	-22	176	°F
Operation Temperature	0	40	°C
	32	104	°F

Maximum 95% without condensation

Warning: When connecting the 5V DC output to an eNode™ IV Lon/IP 852 Router be careful to make sure you observe the polarity sensitivity requirements – Check eNode™ IV Lon/IP 852 Router data sheet, user manual or wiring instructions before turning on the power!

Power Connectors



Red connector +5V DC

Black connector Gnd

Ordering Information

Standard Operating Temperature Range

CNSNeNode IV/A/PSU – Please specify /UK or /EU or /US style

A => 2 Up to 3 x eNode™ IV Lon/IP 852Router Modules

3 Up to 5 x eNode™ IV Lon/IP 852Router Modules

Contact Details

Control Network Solutions Ltd

Studio 7, Intec 2, Intec Business Park
Wade Road, BASINGSTOKE, Hampshire, RG24 8NE, England

Tel: +44 (0) 1256 818700

Fax: +44 (0) 1256 812520

Email: sales@cnsenode.com

Web: <http://www.cnsenode.com>

No part of this publication may be reproduced or transmitted in any form or by any means, electronic, mechanical, photocopying, recording, in part or in whole, without prior permission of Control Network Solutions. We reserve the right to make changes without notice to any products herein as part of its continued product development and improvements. We do not assume any liability arising out of the application or use of any product or circuit described herein. eNode™ is the trade mark of Control Network Solutions Ltd family of Ethernet based products. GadgetTek™ is a trade mark of Adept Systems Inc. LonWorks® is a registered trademark of Echelon Corporation.