



Features

- ❖ Compact Din Rail Mounted
- ❖ 10-40V AC/DC or powered from a link power network
- ❖ Din Mounted Mains PSU available
- ❖ LonMark, LNS compliant
- ❖ Echelon RTR10 Based
- ❖ Transparent media and channel support
- ❖ Choice of four routing algorithms allowing trade-off between ease of installation and network performance
- ❖ Improves system reliability by physically isolating one channel from another
- ❖ Reduces development cost by providing easy to fit solution
- ❖ Unlimited number of network variables forwarded Up to 2.5ms delay through router at 10MHz operation. Side B of RTR-10 jumper selectable to 10MHz or 5MHz operation Packet forward LED display
- ❖ Reset and Service buttons provided with power LED and service LED's for both sides of the router
- ❖ Improves system reliability by physically isolating one channel from another
- ❖ Available with following transceivers types:



78Kb/s twisted pair free topology transceiver (FTT-10A)
78Kb/s twisted pair link power transceiver (LPT-10)
78Kb/s twisted transformed isolated transceiver (TPT/XF-78)
1.25Mb/s twisted pair transformer isolated transceiver (TPT/XF-1250)

Description

The DIN router shares the same RTR-10 core technology as the CNS RTRC-SMX Routers (see CNS RTRCSMX Datasheet or CNS Routers Guide). However, this product has the transceivers mounted directly. Thus, you cannot change the transceiver types once the product is assembled. It takes in unregulated 10-40V AC or



DC (mains supply available separately) and simply requires wiring to a suitable power source and the Lonworks network to be fully operational.

For additional information regarding use of these products please, refer to CNS Router Guide and CNS Din Router Installation Guide. Please note that CNS supplies a complete range of Lon Network Infrastructure Products (NIP's) including Physical Layer Repeaters and Universal Terminators, visit our web site for more information.

Specification

Overall Width 125mm

Overall Height 111mm

Overall Depth 30mm

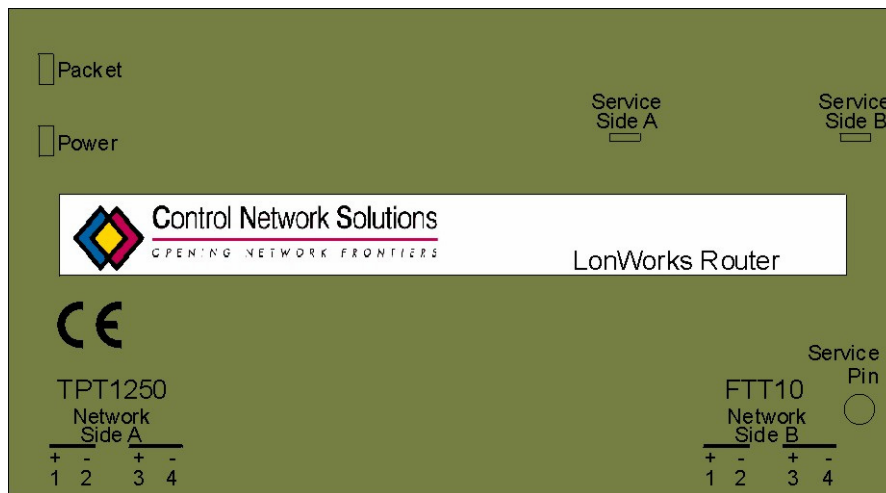
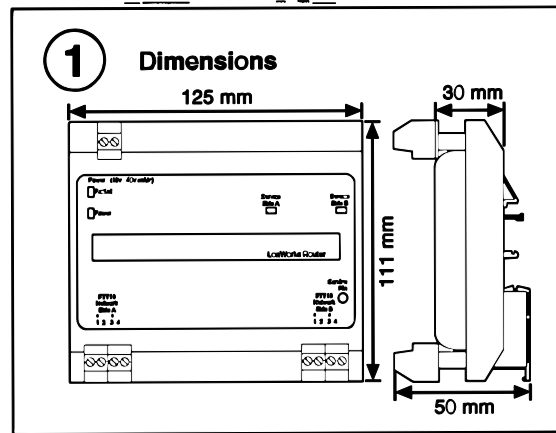
Maximum Depth 50mm

Power supply 10v – 40v AC/DC,
3VA, I_{max} 250mA

Temperature Operating 0 - 70°C

Relative Humidity 10 to 95% RH@
40°C, operating

EMI CE Approved



Front Panel Din Router



Part Number

CNSRTRA-Din/Transceiver Type Side A/ Transceiver Type Side B, for example for a FTT10 to FTT10 Router the part number would be – CNSRTRA-Din/FTT10/FTT10

Contact Details

Control Network Solutions Ltd

Daneshill House,
Lutyens Close,
BASINGSTOKE,
Hampshire, RG24 8AG, England

Tel: +44 (0) 1256 818700
Fax: +44 (0) 1256 305778
Email: cns@control-network-solutions.co.uk
Web: <http://www.control-network-solutions.co.uk>