



- *elitedali for Niagara AX*[®]

www.elitedali.com

elitedali- DALI[®] MSensor2 Datasheet

Introduction

CNS's elitedali MultiSensor2 combines presence detection with daylight measurement for DALI Open Standards intelligent lighting networks and especially configured to work seamlessly with **CNS's elitedali Multidrop Solutions for Niagara AX**.

The DALI[®] MultiSensor2 offers daylight-dependent control and presence detection. With its built-in intelligence it gives a DALI system the important ability to detect movement in a room and to measure the lighting levels. This information when used with **elitedali for Niagara AX** offers highly automated lighting control including constant light level or light harvesting maximising the use of natural light to minimise expense

of energy to achieve required light levels. Retractive spring clips enable the sensor to be mounted easily from below within thin perforated-metal ceilings and thicker plaster ceilings while the body incorporates integral cable-retention clips

The intelligent sensor connects to the DALI bus via a rear mounted polarity insensitive terminals.

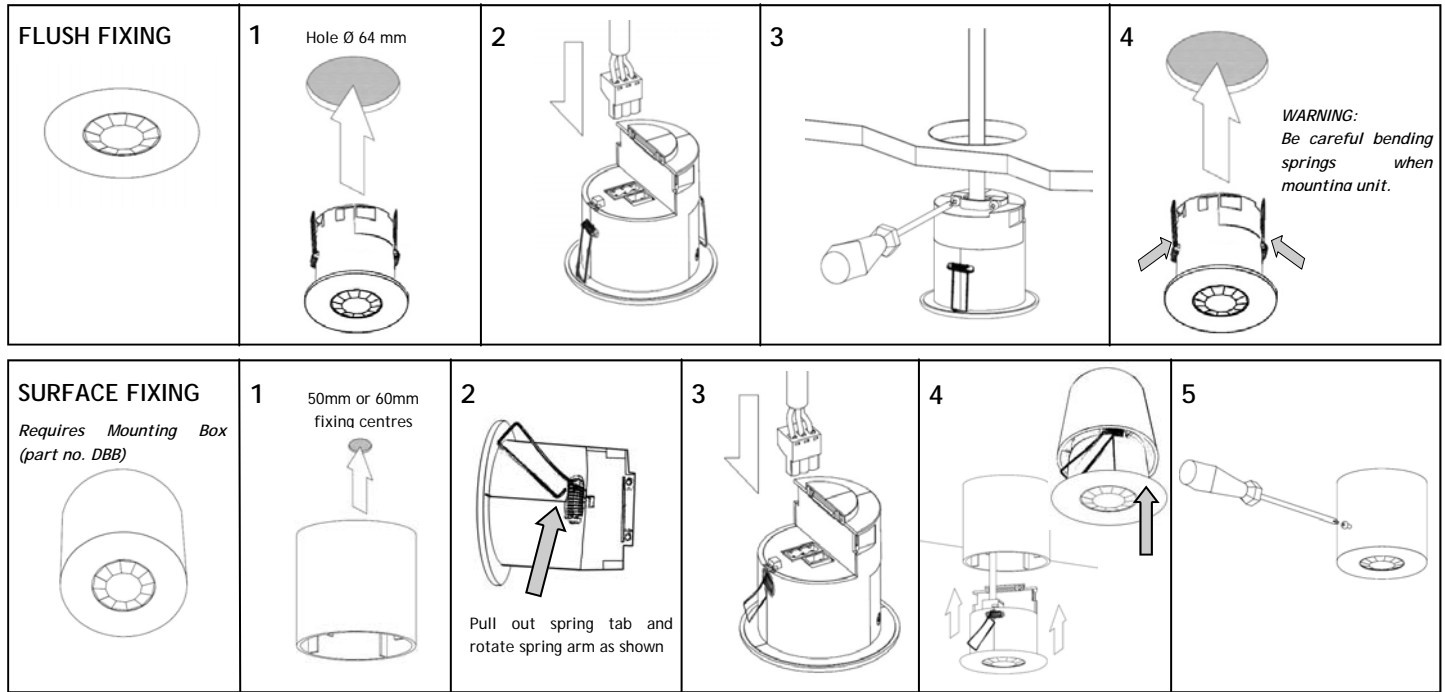


Features

- ◆ Fully compatible to be used with any DALI Ballast which conforms to current DALI Open Standards
- ◆ Seamless connectivity, commissioning, control and management via **CNS's elitedali Solutions for Niagara AX**
- ◆ Powered directly from the DALI network
- ◆ Simple fitting and wiring to DALI network
- ◆ Available for two different mounting configurations
- ◆ Detects presence and absence
- ◆ Measures light levels
- ◆ CE, RoHS

Mounting Options

Fixing Options



Mounting Methods

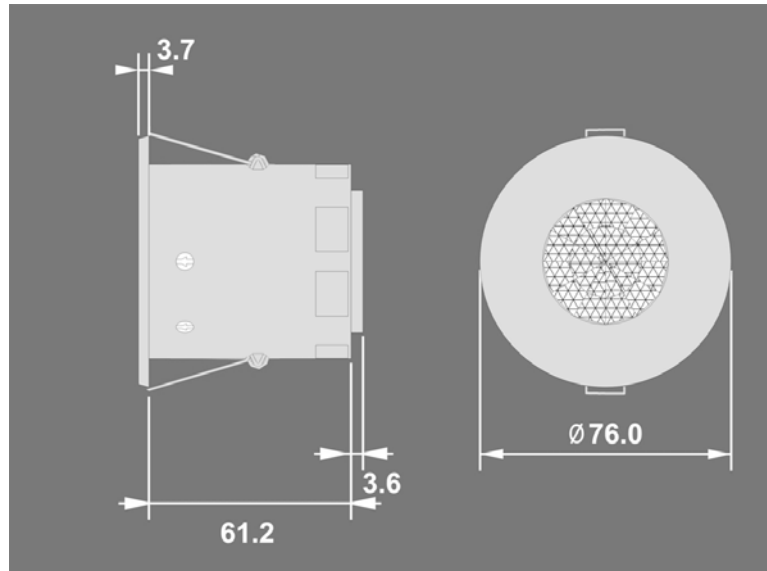
The Detector is designed to be mounted using either:

- Flush fixing (recommended), or
- Surface fixing, using the optional Surface Mounting Box (part no. CNSDBB).

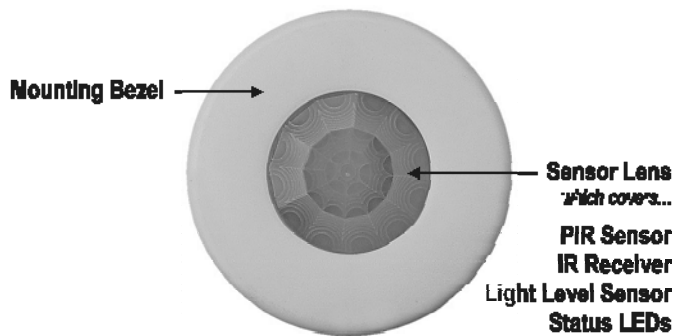
Both methods are illustrated in above.

Specifications

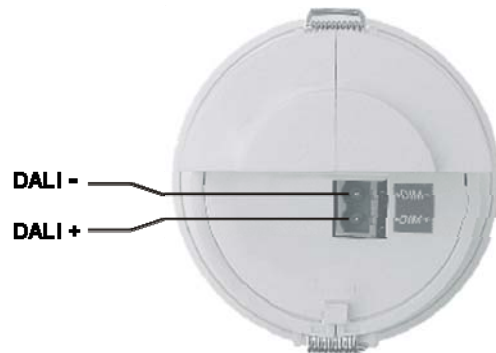
Dimensions



Front features



Back features



Dimensions:	See diagrams on page 2
Weight:	0.1kg
Supply Voltage:	9.5VDC—22.5VDC via DALI
Supply Current:	8mA
Terminal Capacity:	2.5mm ² (solid or stranded)
Material (casing):	Flame retardant polycarbonate
Compliance:	EMC-89/336/EEC LVD-2006/95/EC

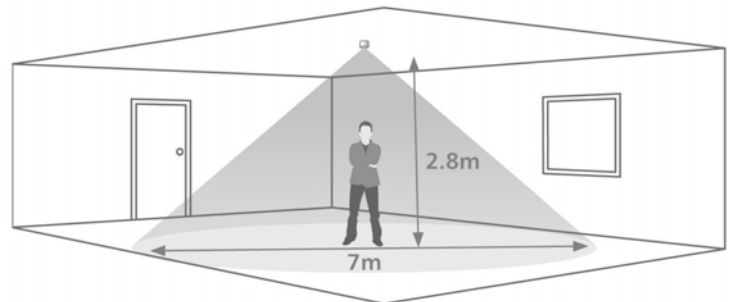


User Information

Choosing a Suitable Location

The PIR Detector is designed to be ceiling mounted and must satisfy the following criteria:

- Avoid positioning the unit where direct sunlight may enter the sensor element.
- Do not site the sensor within 1m of any lighting, forced air heating or ventilation.
- Do not fix the sensor to an unstable or vibrating surface.
- Position the sensor so that the occupants of the room fall inside the detection zone. Note that the detection zone illustrated is based on a recommended mounting height of 2.8m. A lower height will decrease the overall size of the detection zone.



Area of high sensitivity  Area of lower sensitivity 

Detection Range Table 1



Height (m)	Detection diameter (m)
2.0	5
2.3	5.8
2.5	6.3
2.7	6.8
2.8	7.0
3.0	7.4
3.5	8.6







Order Details

Description:

Part No:

-  DALI-MSensor2..... elitedali.CPMSen2
-  DALI-MSensor 2 Surface Mounting Box..... elitedali. CPMSen2/DBB

CNS can also supply *elitedali™ Solutions* additional DALI® compatible products as follows –

-  elitedali Multidrop Connectivity Kit – [click here](#)
-  elitedali MSensor – [click here](#)
-  elitedali Power Supply – 250mA, 22VDC output, [click here](#)
-  elitedali 3 Channel Relay – Control of non intelligent loads, [click here](#)

Contact Details

Control Network Solutions Ltd

Studio 7, Intec 2, Intec Business Park, Wade Road
BASINGSTOKE,
Hampshire, RG24 8NE, England

Tel: +44 (0) 1256 818700
Fax: +44 (0) 1256 812520
Email: cns@control-network-solutions.co.uk
Web: <http://www.control-network-solutions.co.uk>
Web: <http://www.elitedali.com>
Twitter: <http://twitter.com/elitedali>

eLighting, elitedali and eDIM are the trademarks of Control Network Solutions lighting control family of products for Niagara AX. Tridium, Niagara AX, JACE and Niagara AX Framework are the registered trademarks of Tridium Inc. DALI is the registered trademark of the DALI.ag.org Standards organisation. No part of this publication may be reproduced or transmitted in any form or by any means, electronic, mechanical, photocopying, recording, in part or in whole, without prior permission of Control Network. We reserve the right to make changes without notice to any products herein as part of its continued product development and improvements. We do not assume any liability arising out of the application or use of any product or circuit described herein.